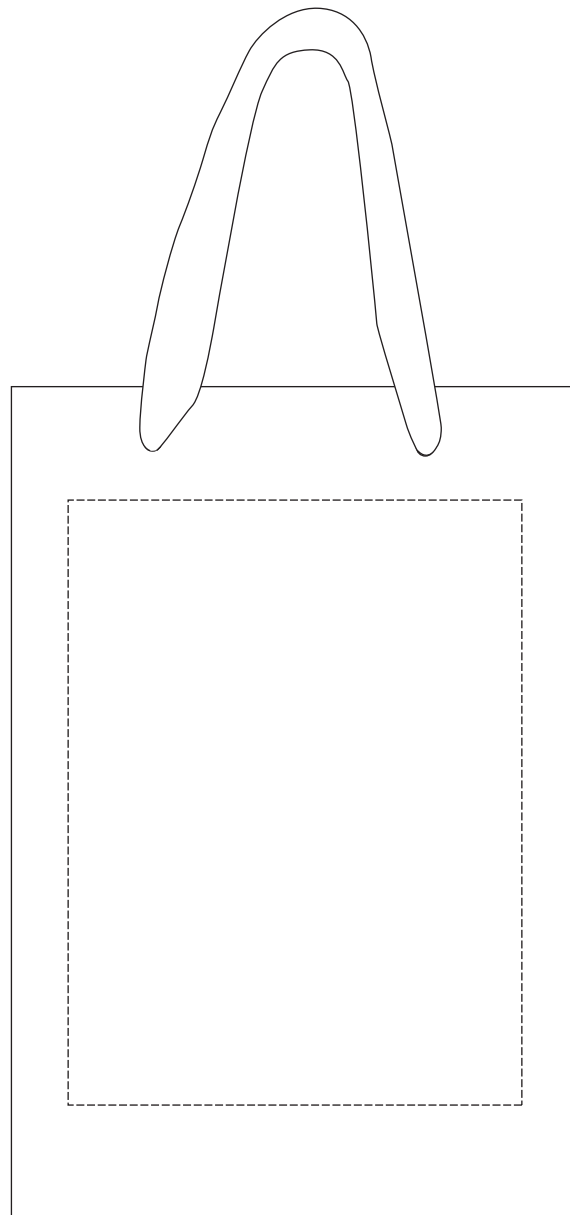


Product: PCPB170
Product Size: 150(L) x 220(H) x 90(W) mm
Decoration Options:



Shown at 50% actual size

Print size: 120mm(w) x 160mm(h)